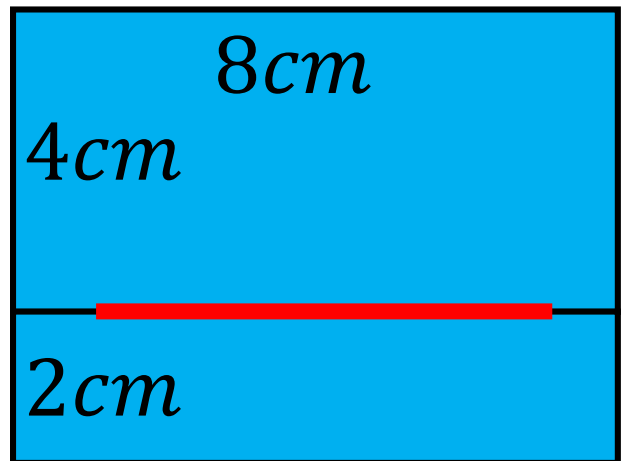
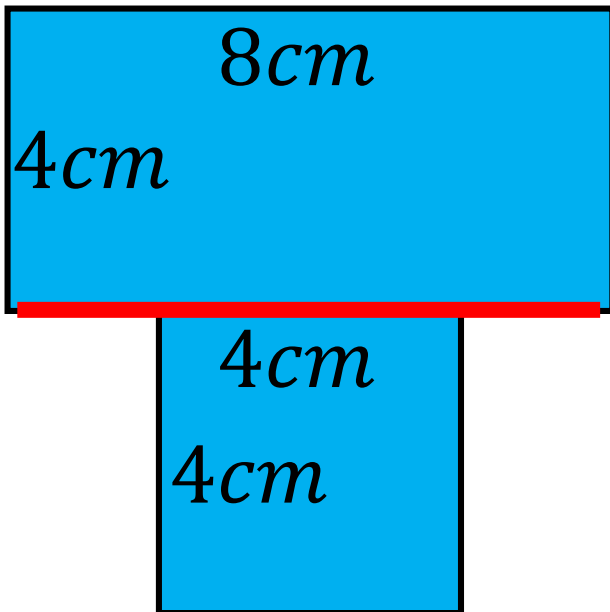
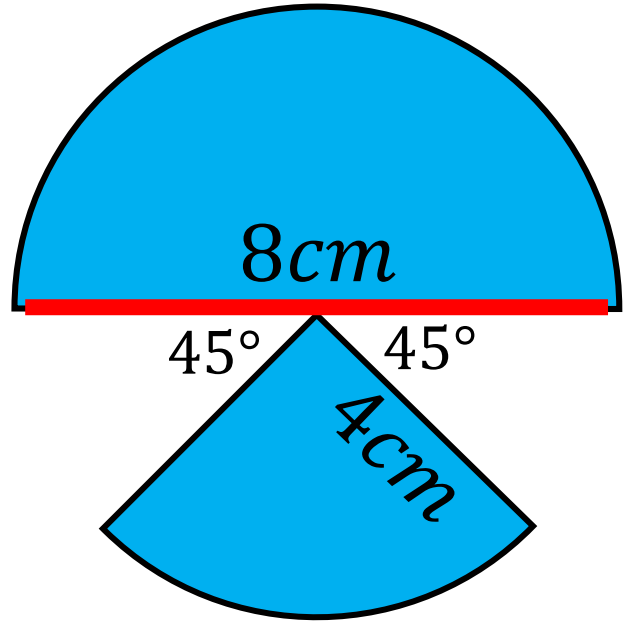
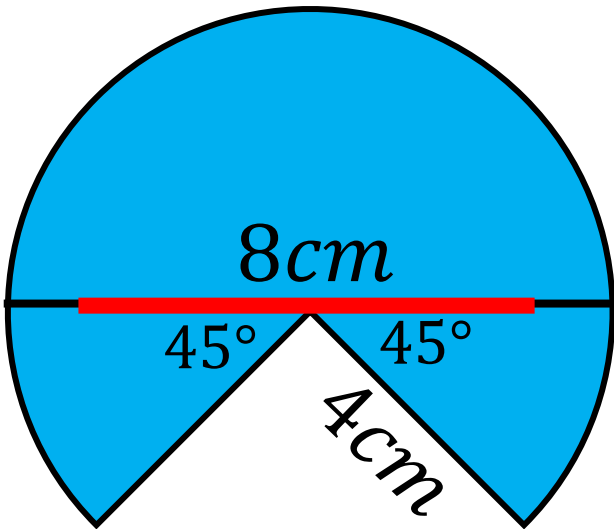
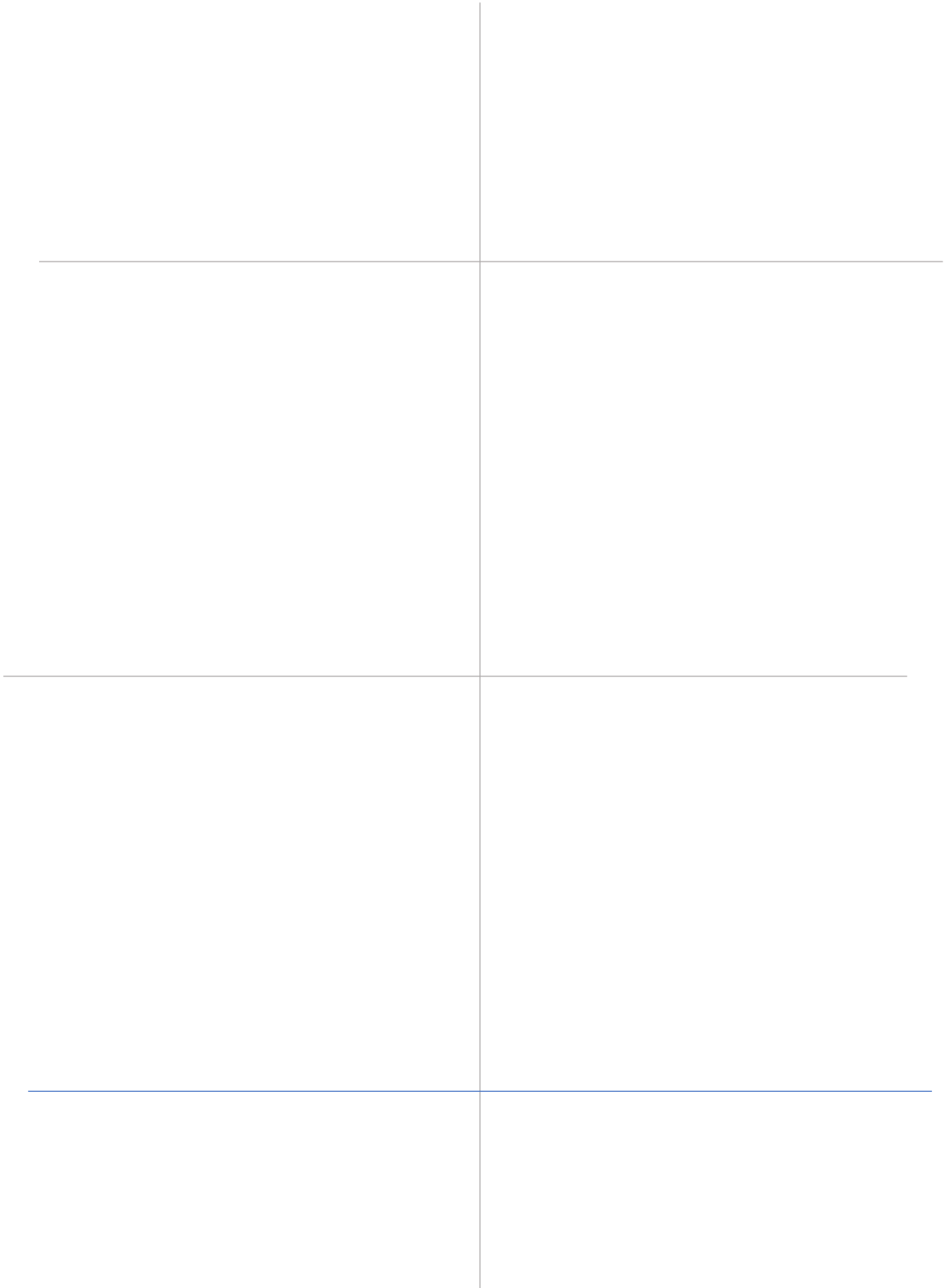
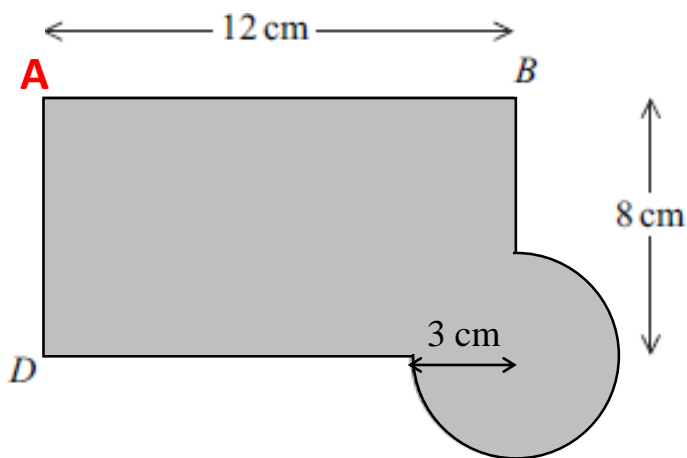
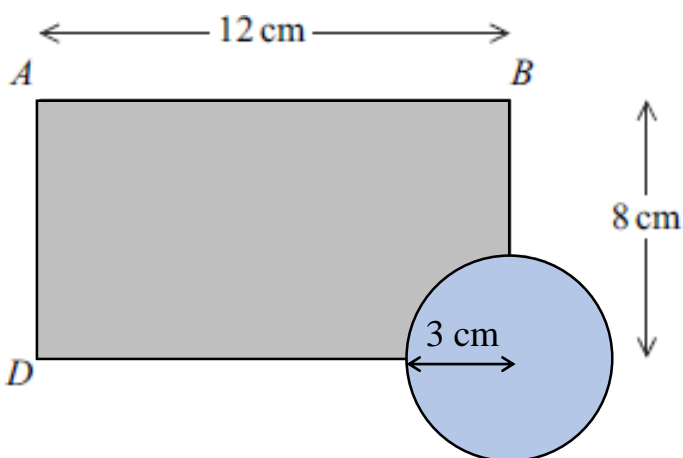
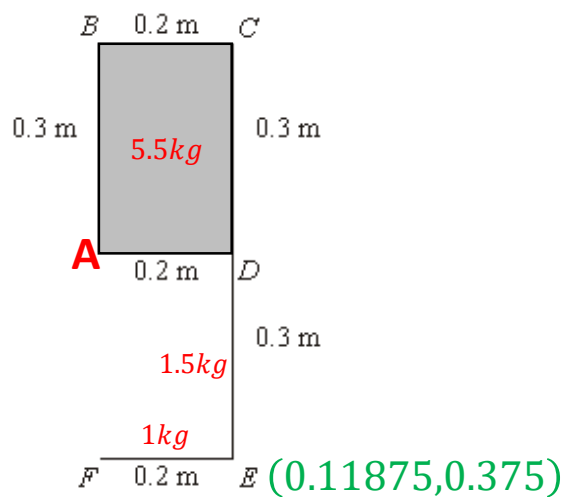
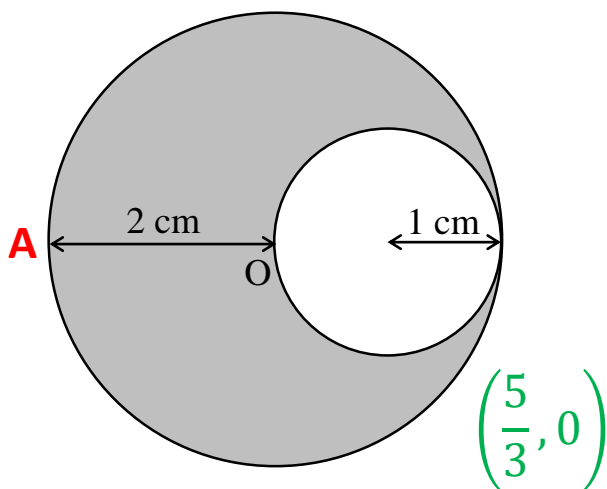
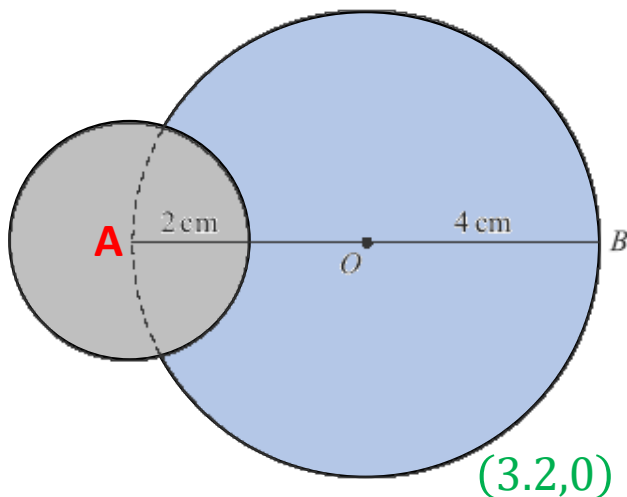
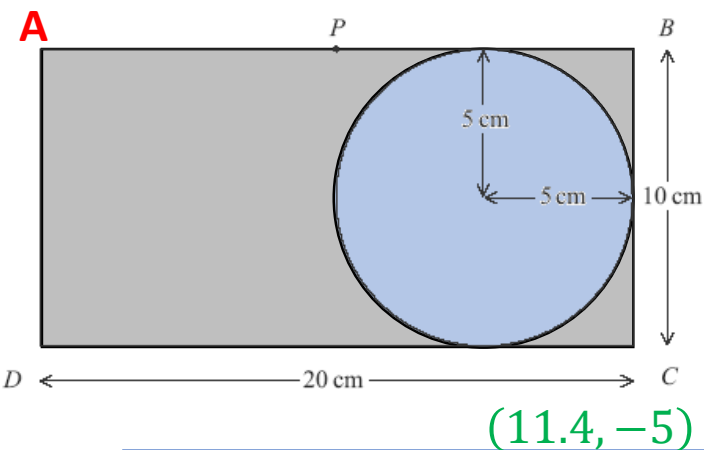
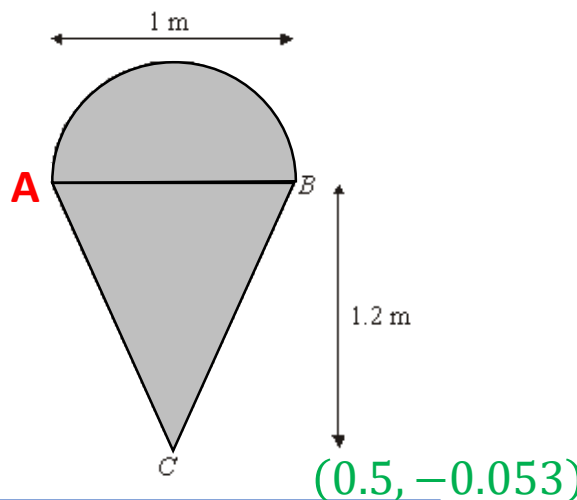
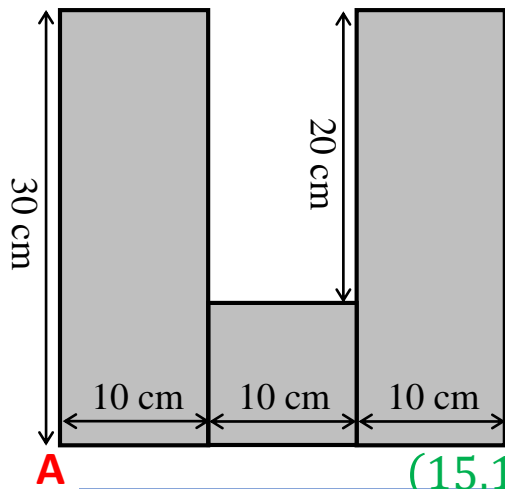


Put these diagrams in order of vertical centre of mass from each red line.

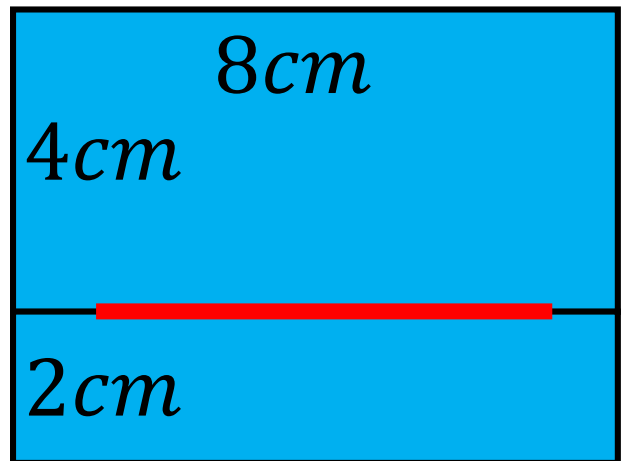
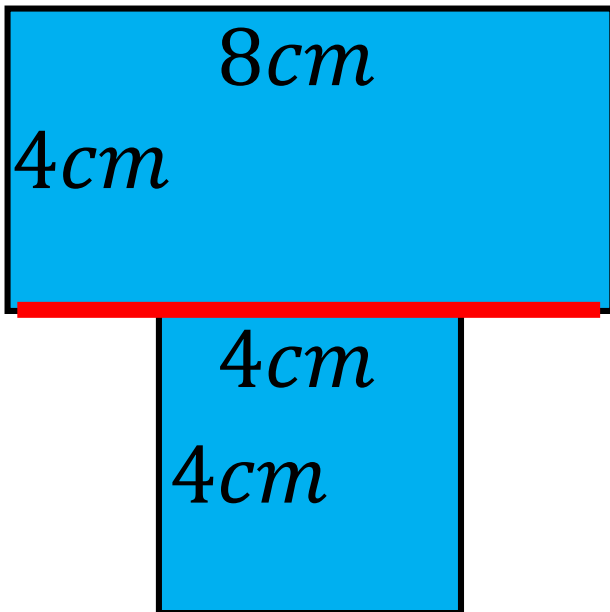
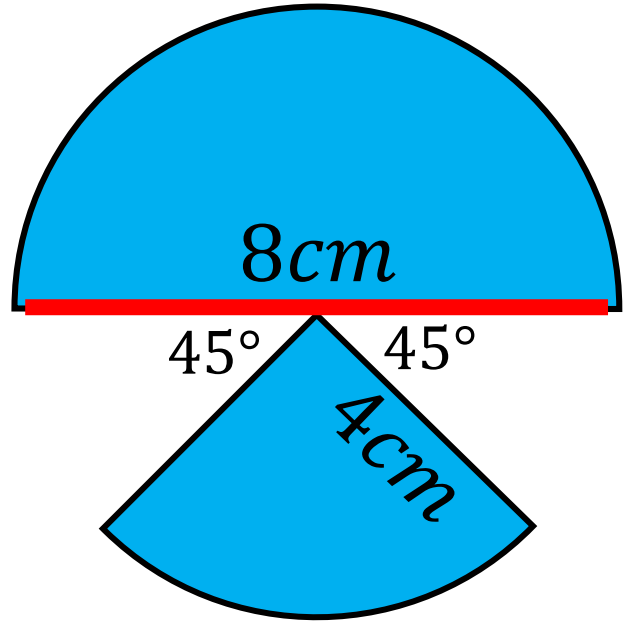
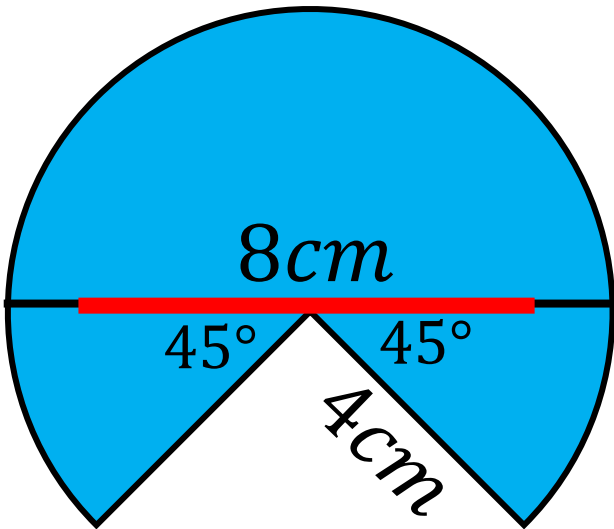


Now create some of your own





Put these diagrams in order of vertical centre of mass from each red line.



Now create some of your own

